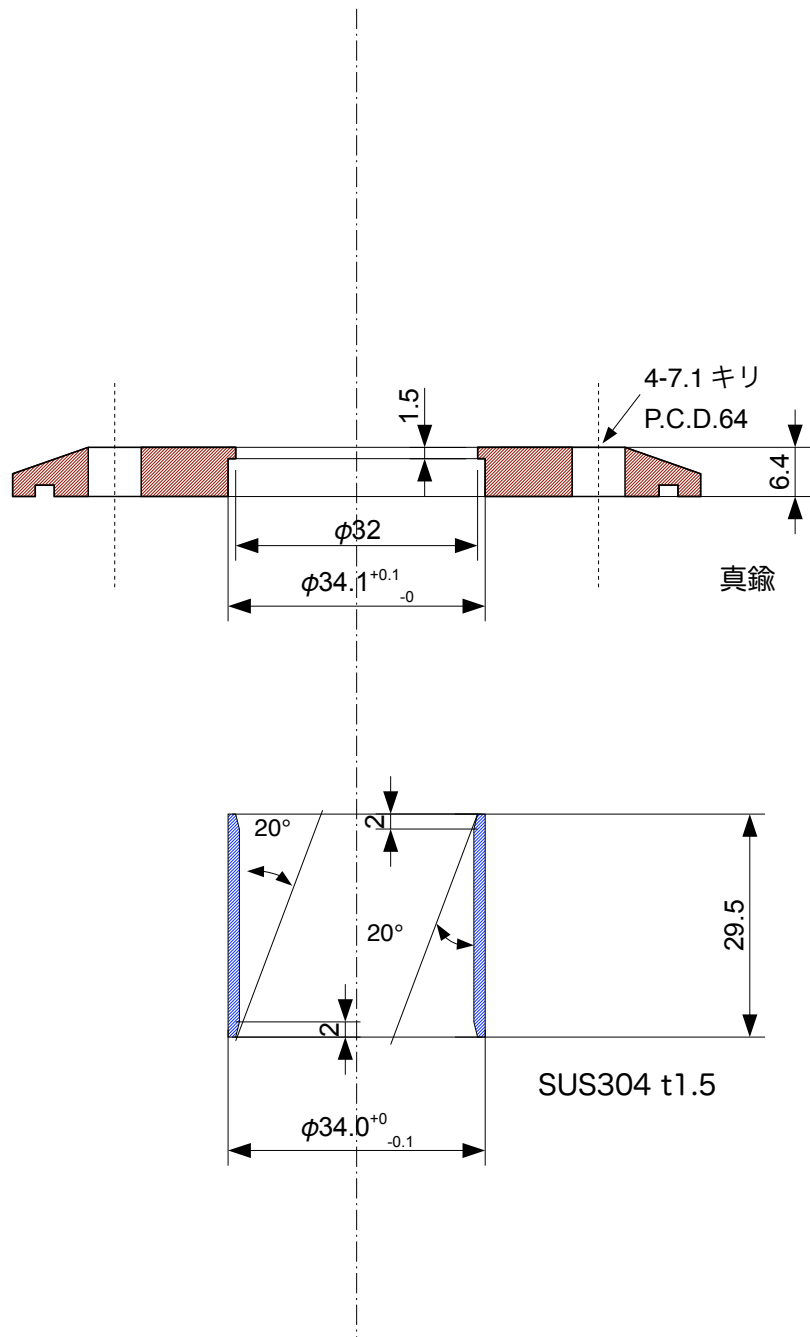
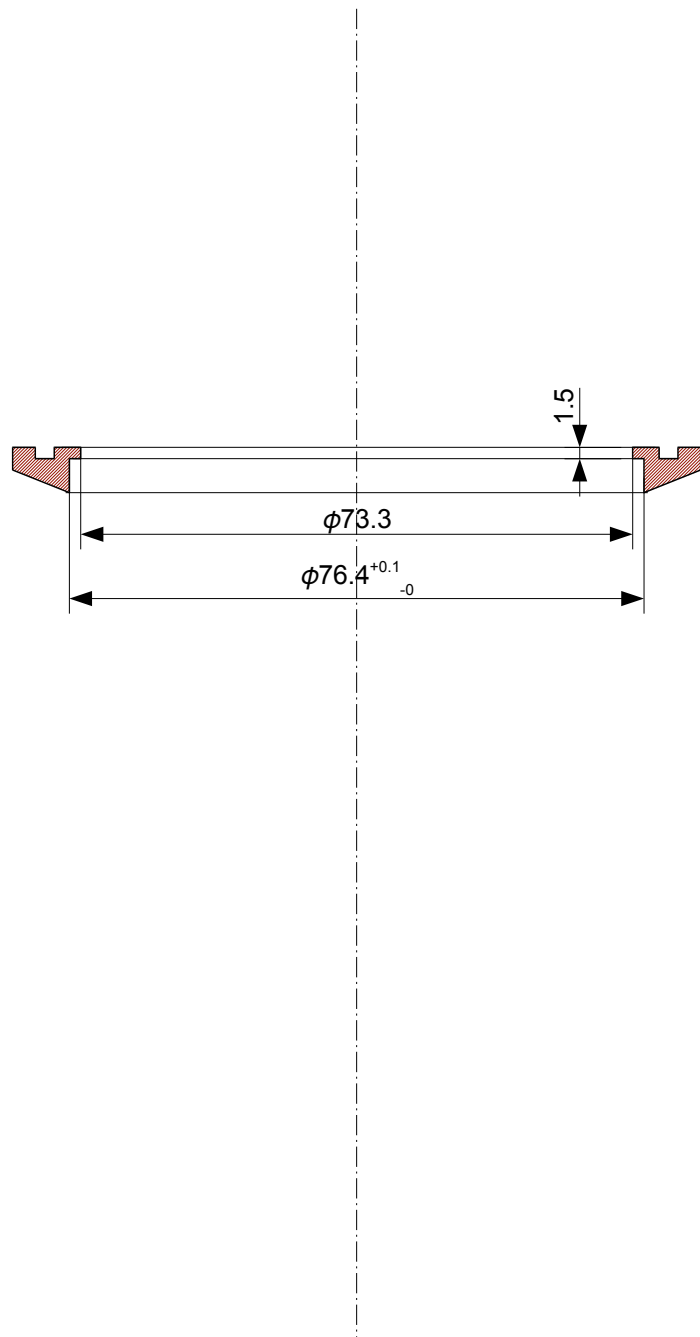


Unit No.	Quantity 1	Drawing Title LAr 加圧装置 (全体図)			
Edited	Verified	Approved - Date	File Name	Date 2008/10/18	Scale 1:1
Company 瀧川研究室		Designer KITAG			
Drawing No. 1			Number 1	Sheet	

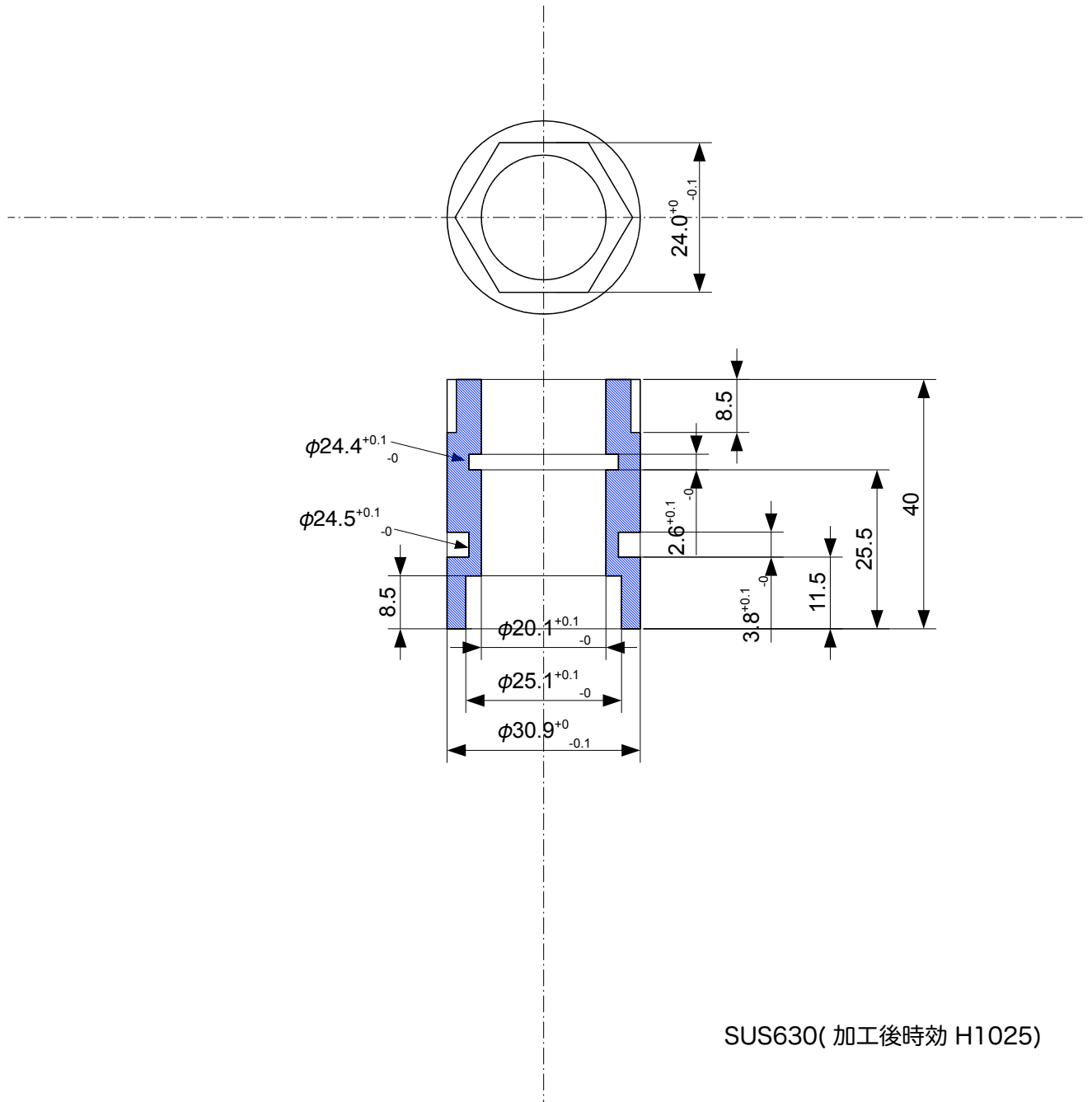


Unit No.	Quantity 1	Drawing Title LAr 加圧装置 (フランジ上)			
Edited	Verified	Approved - Date	File Name	Date 2008/10/18	Scale 1:1
Company 瀧川研究室		Designer KITAG			
Drawing No. 1			Number 1	Sheet	

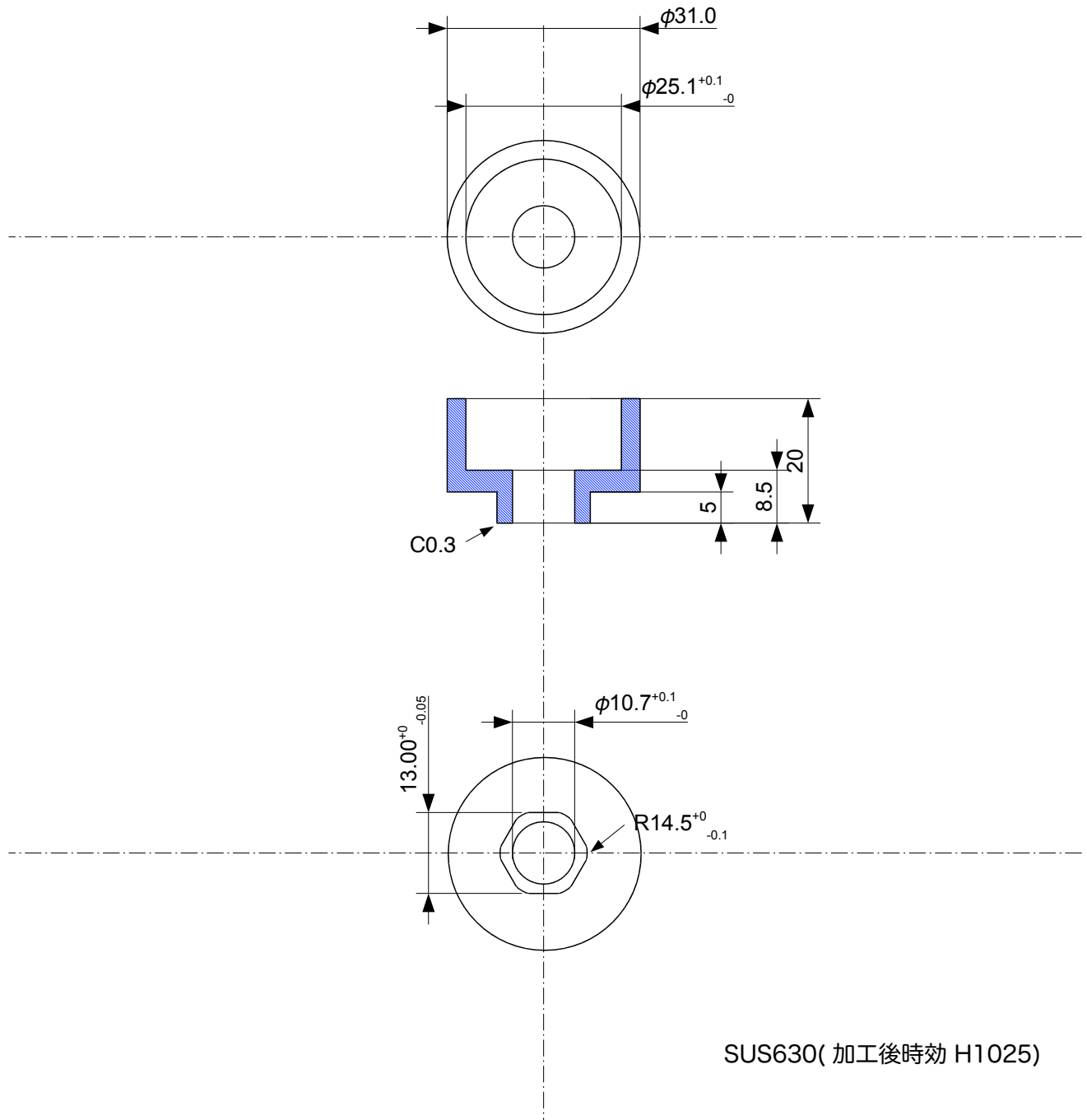


真鍮

Unit No.	Quantity 1	Drawing Title LAr 加圧装置 (フランジ下)			
Edited	Verified	Approved - Date	File Name	Date 2008/04/03	Scale 1:1
Company 瀧川研究室		Designer KITAG			
		Drawing No. 1	Number 1	Sheet	

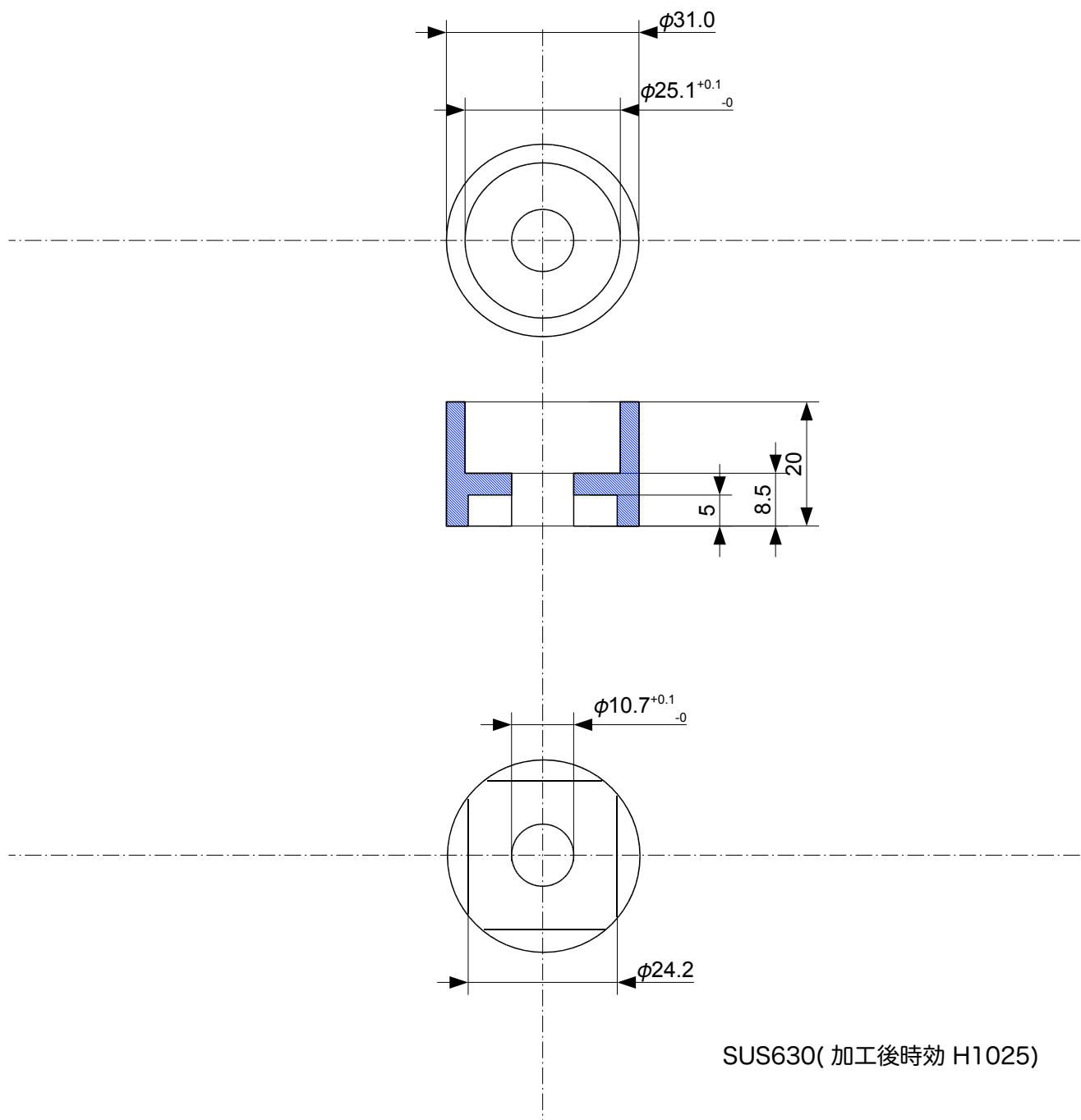


Unit No.	Quantity 1	Drawing Title LAr 加圧装置 (高断熱プレス台)			
Edited	Verified	Approved - Date	File Name	Date 2008/04/03	Scale 1:1
Company 瀧川研究室		Designer KITAG			
Drawing No. 1			Number 1	Sheet	

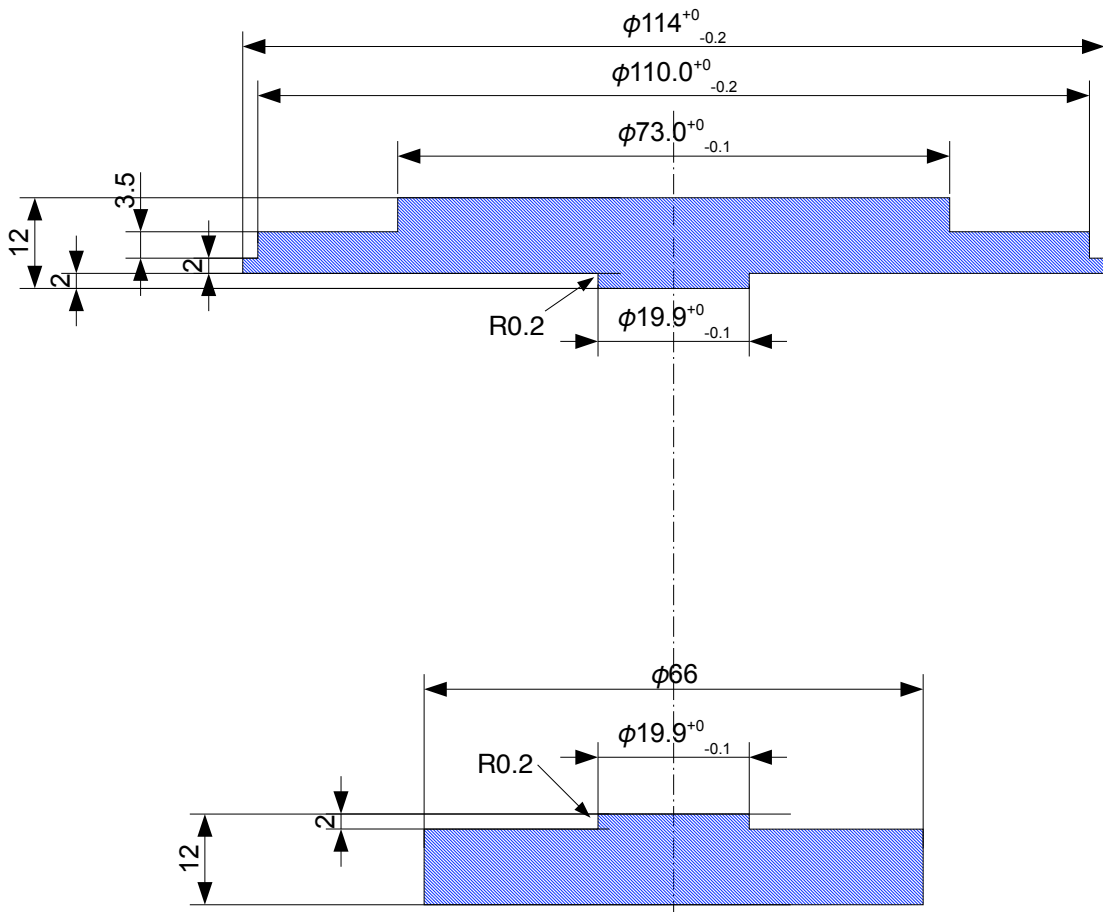


SUS630(加工後時効 H1025)

Unit No.	Quantity 1	Drawing Title NMR 用小型アンビルセル (LAr 用クランプ具)			
Edited	Verified	Approved - Date	File Name	Date 2008/10/18	Scale 1:1
Company 瀧川研究室		Designer KITAG			
Drawing No. 1			Number 1	Sheet	

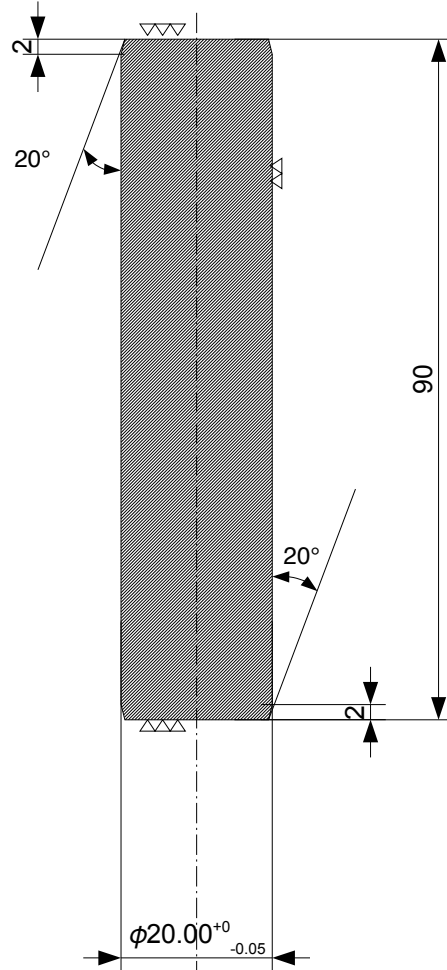


Unit No.	Quantity 1	Drawing Title NMR 用中型アンビルセル (LAr 用クランプ具)			
Edited	Verified	Approved - Date	File Name	Date 2008/03/31	Scale 1:1
Company 瀧川研究室		Designer KITAG			
Drawing No. 1			Number 1	Sheet	



SUS630( 加工後時効 H1025)

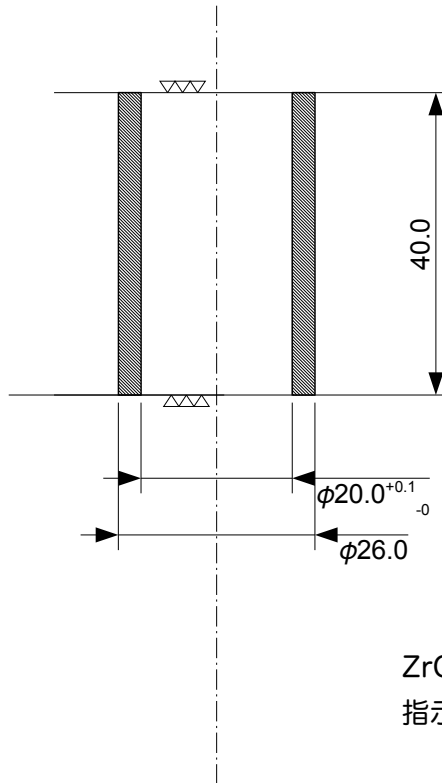
Unit No.	Quantity 1	Drawing Title LAr 加圧装置 (高断熱プレス台)			
Edited	Verified	Approved - Date	File Name	Date 2008/04/03	Scale 1:1
Company 瀧川研究室		Designer KITAG			
Drawing No. 1			Number 1	Sheet	



ZrO<sub>2</sub> · Al<sub>2</sub>O<sub>3</sub> フジロイ FCY20A

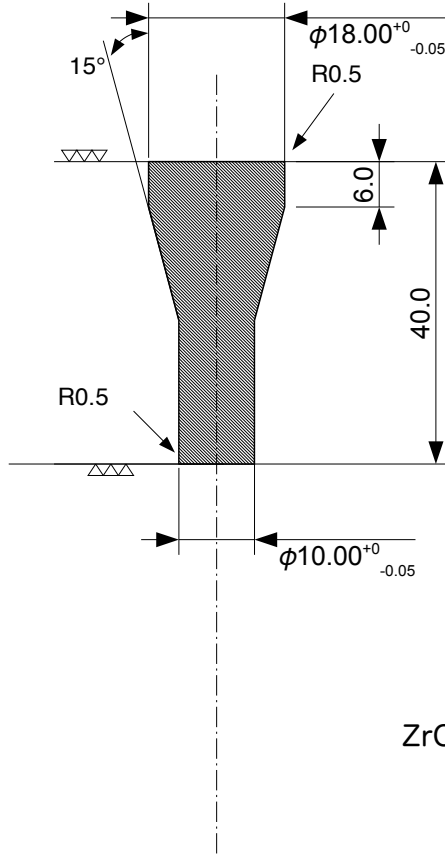
Unit No.	Quantity 1	Drawing Title LAr 加圧装置 (ピストン)			
Edited	Verified	Approved - Date	File Name	Date 2008/06/20	Scale 1:1
Company 瀧川研究室		Designer KITAG			
Drawing No. 1			Number 1	Sheet	





ZrO<sub>2</sub> · Al<sub>2</sub>O<sub>3</sub> フジロイ FCY20A  
 指示なき角は R0.2 で面取り

Unit No.	Quantity 1	Drawing Title LAr 加圧装置 (高断熱プレス台)			
Edited	Verified	Approved - Date	File Name	Date 2008/04/03	Scale 1:1
Company 瀧川研究室		Designer KITAG			
Drawing No. 1			Number 1	Sheet	



ZrO<sub>2</sub> · Al<sub>2</sub>O<sub>3</sub> フジロイ FCY20A

Unit No.	Quantity 1	Drawing Title LAr 加圧装置 (高断熱ピストン)			
Edited	Verified	Approved - Date	File Name	Date 2008/04/03	Scale 1:1
Company 瀧川研究室		Designer KITAG			
Drawing No. 1			Number 1	Sheet	