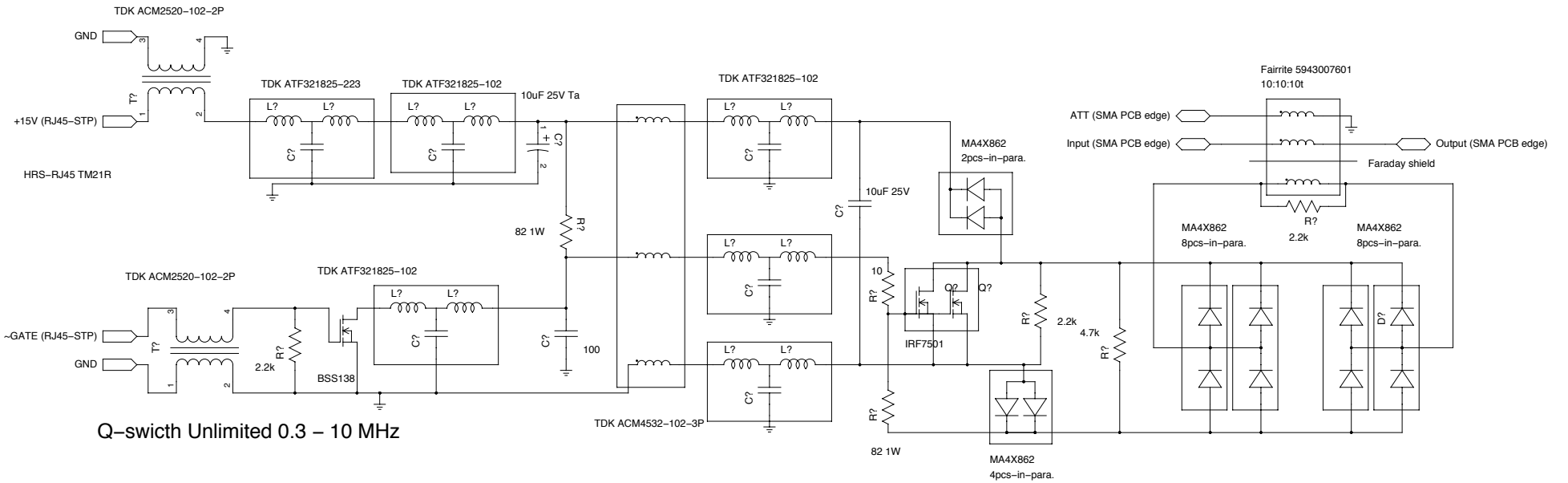


**POWER UNIT**



**Q-switch Unlimited 0.3 - 10 MHz**